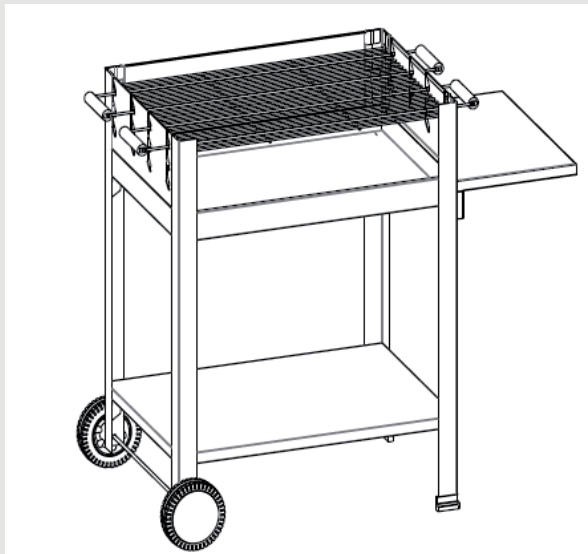


Chill & Grill

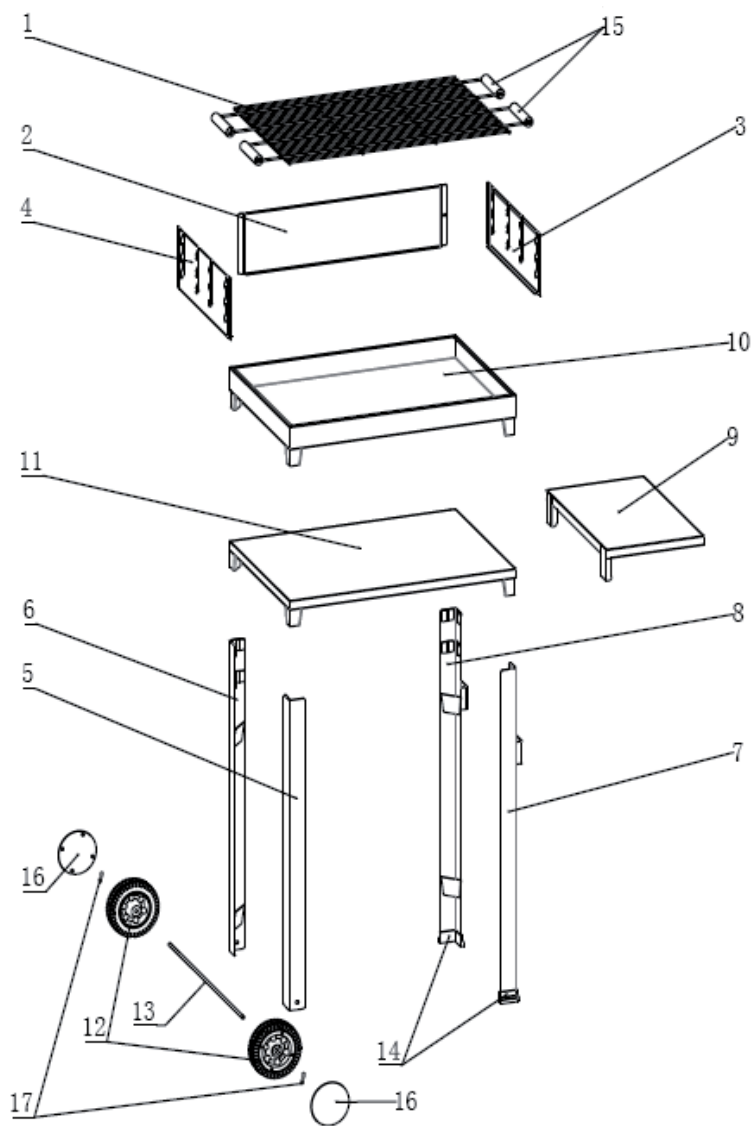
User Guide



Charcoal BBQ LAMBADA

Rectangular Easy Assemble BBQ

Art. Nr. 1121



Content

Before Using the Unit	4
Delivery Content	4
Intended Use	5
For your security	5 - 7
Warning symbols.....	5
Safety	5-7
Setup	7 - 8
Preparation	7
Unpacking the BBQ.....	7
BBQ Assembly.....	8-9
Set up the BBQ	9
Prior to Cooking	9
Operation	9
Maintenance and Cleaning	10
Disposals	11
Technical Data	11
Warranty	11
Service	11
Distributor	11

Before using the Appliance

Check after unpacking the appliance and before using the appliance, if the appliance is damaged. If this is the case, do not use the appliance and contact your dealer immediately.

The User Guide is based on the standards and regulations of the European Union. Please also pay attention to your country-specific guidelines and regulations!



Carefully read the safety instructions and the operating instructions before using the Appliance. This allows you to use all functions safely and reliably. This ensures a secure and proper use of the appliance. Please retain the operating instructions for future reference and please also pass these on to any future users.

Delivery Content

Nr.	Description	
1	BBQ	2
2	Rear Windscreen	1
3	Right Windshield	1
4	Left Windshield	1
5	Left forward leg (short mounting wheel)	1
6	Left rear leg (short mounting wheel)	1
7	Right front supporting leg (long)	1
8	Right rear supporting leg (long)	1
9	Side tray	1
10	Fuel tank	1
11	Lower tray	1
12	Wheel	2
13	Axle	1

14	Foot	2
15	BBQ handle	4
16	Wheel Cover	2
17	Safety Pin	2

Please check that the delivered assembly parts are complete and without damage. If on the rare occasion that one of the parts is faulty, please contact your supplier immediately. Returns after full- or partial installation of the product will not be accepted.

Intended Use

This BBQ Grill is used to heat up, - slow cook, - or barbecue meat.

The BBQ Grill is for outdoor use only and only for private use.

It is important that you use the product only in the way described in this User Guide

Any other use is considered improper and can lead to property damage or even personal injury. The manufacturer accepts no liability for any damage caused by misuse of the product and usage of the product outside the user guidelines.

For your own Safety

Warning signs

Danger High Risk!



Ignoring this warning can be life threatening and can cause damage to the body.

Attention Medium Risk!



Ignoring this warning can cause property damage.

Caution Low Risk!



The careful handling of problems is required, which can occur while handling the device.

Important Advice

Danger Flammable!



The glowing charcoal and the operating grill parts can get very hot and can ignite fires.

- A fire extinguisher and a first aid kit should be to hand at all times in case of an accident or fire.
- Place grill on a flat, horizontal, safe, heat-resistant and clean surface.
- Place the grill so, that it is at least 1 m away from highly-inflammable materials, such as Awnings, wooden decks or furniture.
- While in operation do not transport the product
- Only burn the coal in the sheltered area.
- Fill the BBQ with maximum 3 kg of charcoal
- Some foods produce combustible fats and juices. Therefore the BBQ needs to be cleaned regularly, preferably after each use.
- Dispose of the ashes only when the charcoal is completely burned out and cooled down.

Danger Combustion and Accidents!



This appliance should not be used by a person (including children) with reduced physical, sensory or lack of experience / knowledge. Therefore people with these conditions should be made aware of the dangers of the product and should be supervised by another person for their own safety.

- Any changes to the product are a huge danger to your own safety and are forbidden. Therefore impermissible interventions should be prevented. If any damage, reparations or problems occur with the product, please contact our service desk or one of our present specialists.
- Children and Animals need to be kept away from the product at all times

The BBQ, the charcoal inside of the BBQ and the BBQ food become very hot while the BBQ is in use, so that any contact with them can lead to severe burns.

- Therefore please keep enough distance from the hot parts.
- Use kitchen gloves if you handle the BBQ at all times.
- Only use BBQ equipment with long heat protected handles.
- Do not wear clothes with loose sleeves.
- Only use dry lighter or special liquid barbecue lighter to light (please use the EN 1860-3 instructions).
- Please cool down the BBQ completely before you clean it or put it away.

Danger of Toxication!

Burning of Charcoal produces carbon monoxide – it has no scent and can lead to death if used in confined spaces - As a result the BBQ should only be used outdoors.

Danger of Explosion!



Flammable Liquids which are poured into the fire can cause random flames or explosions.

- Never use flammable liquids like petrol and spirits.
- Do not soak the charcoal in flammable liquids or place the soaked charcoal in the flames.

Danger for Children!



Children can entangle themselves within the package foil while playing with it and can suffocate.

- Therefore children should not play with the package foil.
- Pay attention that your children will not put any of the applications parts in their mouth. They could swallow these and could choke as a result.

Risk of injury



On the BBQ and on the some of the features are sharp corners.

- The single features of the BBQ should be handled carefully, to prevent accidents or injury during the installation or during the general use of the BBQ. It may be advisable to wear protective gloves.
- Do not place the BBQ near Entrances or Exits or busy zones.
- Always handle the BBQ carefully while you barbecue. Any disturbances can lead to improper handling of the BBQ.

Always pay attention and take care of what you do with the BBQ. Do not use the BBQ if you are tired, not concentrating or under influence of drugs, alcohol or medicines. Failure to pay proper attention even for a short period of time while using the BBQ can lead to serious injuries.

Caution damage danger!



During the use of the BBQ it is possible that the screw starts to loosen and this can affect the stability of the BBQ.

- Therefore please check the screws before using the BBQ. If necessary please tighten the screws again to ensure stability.
-

Attention damage danger!



Do not use strong or grinding solvent or scouring pads, because they can damage the surface and leave abrasive marks

Assembly Guide

Preparations

Danger of Injury!



Not following the assembly guide can lead to problems and danger while using the BBQ.

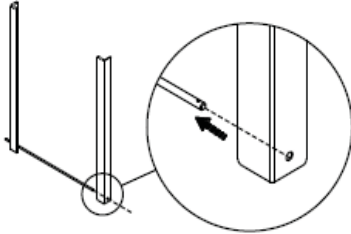
- Please follow all the detailed assembly instructions
1. Read the Assembly instructions fully.
 2. Make sure you have enough time to assemble the BBQ and make sure you have a flat, even working space of about one to two square meter.
 3. Pay attention to sharp edges of plates while you assemble the BBQ. It is therefore advisable to wear protective gloves during the assemblage.

Unpacking the BBQ

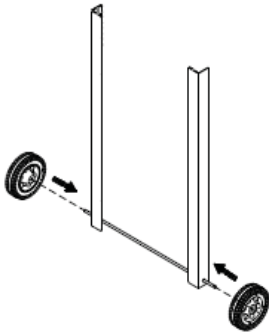
1. Unpack the BBQ and remove all the packaging.
2. Please store the packaging out of reach of children and after completing the assembly please recycle the packaging following the guidelines.
3. Please pay attention to the assembly picture

BBQ Assembly

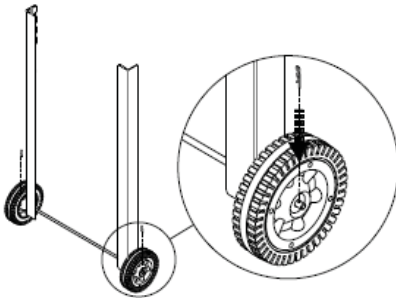
1. Set the two shorter legs perpendicular on the floor. Make sure that the holes for the axel are on opposite sides when you install the axel.



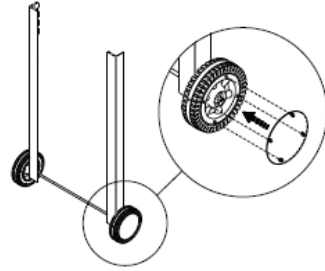
2. Attach the wheels.



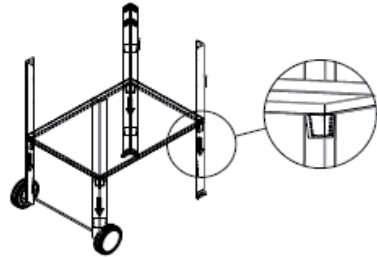
3. Insert the locking pins into the holes on both sides.



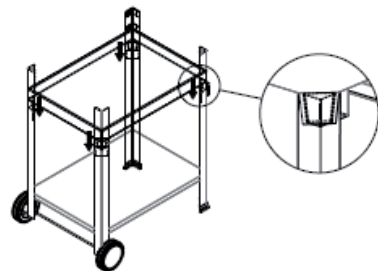
4. Attach the wheel covers and press them tightly onto the wheel.



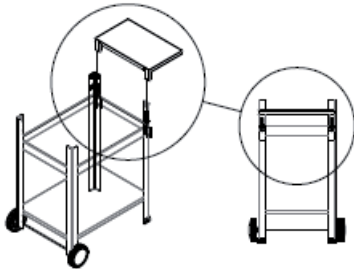
5. Make sure that both of the longer legs stand vertically on the ground. Ensure that the slots for the side shelf are on the right side. Now install the lower tray.



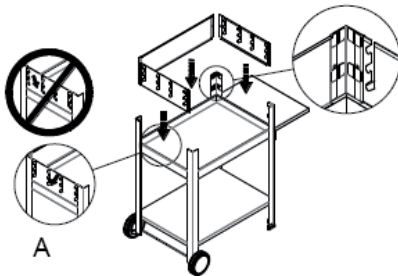
6. Install the fuel tank.



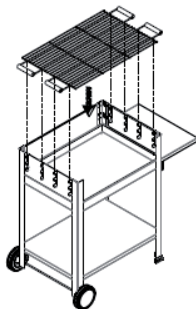
7. Plug the lateral deviation in the two slots of the support legs on the right side.



8. Put the three parts of draft shields into the recesses of the legs. Make sure the left windscreen is placed and fixed as shown as in the magnification. The other wind screen is for the right side



9. Hang the grill grate onto the right and left side of the windscreen.



Standing up the BBQ

Danger of Damage!



During use the fittings can loosen gradually and the stability of the BBQ can be affected.

- Therefore check the BBQ before each use regarding its stability

Before the BBQ

- Before using the BBQ place it on a flat, stable surface outdoors
- Wash the BBQ grate before first use with warm rinsing water
- **Pre-heat**

Before the first BBQ session, the BBQ must be preheated for approximately 1-2 hours at a temperature of 100 °-200 ° C.

This is needed to make the inside and the outside of the BBQ ready and to bake on the heat resistant colour form outside.

-

Operation

Danger of combustion!



The BBQ contains charcoal and the BBQ food which is very hot, so any contact with the BBQ can cause serious burns during operation.

- Keep clear from all the hot parts, because any contact with the BBQ can cause severe burns.
 - Wear BBQ or kitchen gloves at all times
 - Only use long-handle barbecue tools with heat-resistant handles
 - Do not wear clothes with loose sleeves
- Use only dry lighter or special BBQ lighter (according to EN 1860-3 guidelines) as fire lighters
-

1. Swing the grill grate **(C)** to the side. To release or fix the digits of the grill grate position, loosen or tighten the upper wing screw **(S4)** below the grill handle.
2. The ash tray **(E)** catches the ashes during barbecuing. Do not operate the BBQ without the built in ash tray. **Caution!** The ash tray can be very hot. Do not take off the ash tray during barbecuing, as it heats up during the barbecue and is very hot.
3. Lay 2-3 fixed igniting material aids in the center of the fire bowl **(A)**. Notice. Manufacturer's instructions on the packaging. Light the firelighters with a match.

4. Use a maximum layer of 3 kg charcoal or charcoal briquettes to light the fire.

The BBQ must be lit for between 1 – 2 hours before initial use.

See section: Before BBQ.

5. Once the charcoal is completely burnt, distribute the charcoal evenly in the fire bowl **(A)**. For this, use a suitable fire resistant tool with a long fire resistant handle.
6. Place the grill grate **(C)** over the fire bowl **(A)**.
7. Place the grilled food only on the barbecue, when the charcoal is covered with a light layer of ash.
8. Barbecued food can be placed on the bamboo side tray **(D)**.
9. Place the barbecued food on the warming wrack **(M)** to keep it warm. The warming rack can be adjusted in height. Loosen the wing screw **(S4)** with the square bolt to adjust the warming wrack in height. After setting the preferred height, tighten the thumbscrew securely.
10. On the barbecue cutlery bar **(K)**, the long-stemmed and heat-resistant barbecue cutlery which has been used for barbecuing, can be hung up. The maximum loading of the barbecue cutlery bar must not exceed 1 kg.

Maintenance and Cleaning

Your grill is made from high quality materials.
To clean the surfaces and maintain the BBQ, take the following precautions:

Danger of Burns!



Let the BBQ cool down completely, before you clean it

- Pour out the ash only if the fuel is completely cooled down.
-

Health Hazard!



Do not use solvents or thinners to remove stains. These can be harmful to your health and must not come into contact with your food.

Danger of damage!



Do not use strong or grinding solvent or scouring pads, because they can damage the surface and leave abrasive marks.

- Let the fuel burn out after the barbecue. This helps to reduce the need for cleaning by removing excess fat and grill burns.
- Remove the ash tray and empty the cold ashes. Caution! The ash tray can be very hot. Only remove the ash tray with heat-insulated barbecue gloves.
- Clean the grill regularly, preferably after each use

- Remove the grill grate. Clean the grill thoroughly with rinsing water. Afterwards clean with clear water, rinse thoroughly and let it dry out. Place the grill grate back on the fire bowl.
- Remove loose deposits on the grill with a wet sponge
- Use a soft, clean cloth to dry. Do not scratch the surfaces during dry rubbing.
 - Clean the interior and surfaces generally with warm soapy water.
 - Tighten all bolts before each use regularly to ensure the barbecue stands firm.
- **Important:** The BBQ should not be stored in a moist area.

Recycling

The packaging consists of environmentally friendly materials, which can be disposed of with a ~~local~~ recycling provider.

Do not throw the BBQ in your normal household waste! You need to dispose of it through an approved-disposal center or at your community waste facility.

Observe the current regulations. If in doubt, consult your waste disposal facility.

Technical Data

Product: Item No. 1121
Weight: approximately 14.5 kg
Overall dimensions,
BBQ built:
about 105 x 59 x 90 cm
(W x D x H)
Grill area: 2 gratings each
about 68 x 22 cm
Max Fuel 4 kg max. amount

Warranty

You have purchased a high quality BBQ.

TEPRO GARDEN GmbH guarantees for their BBQ through their warranty conditions, at normal, free-time moderate and non-commercial utilization for 24 (twenty four) months from date of purchase for all parts with respect to error and workmanship.

Excluded from the warranty are wearable parts, such as BBQ grates.

All other costs such as labour, transport, freight and packaging go under the warranty of the buyer.

The distributor reserves the right to bear any costs incurred himself or to charge to the buyer.

This warranty does not cover improper use of the BBQ or wilful damage, misuse, alteration, improper application, improper use, wear and tear, incorrect installation or poor maintenance.

Service

For technical questions, please contact the service center. This product has been carefully manufactured and packaged. However, should you have any concerns please don't hesitate to contact us. Our staff will be happy to help with your queries.

Technical Changes and misprints reserved.

